

CA-10

Compact Banknote Deposit Machine

- *Value Counting*
- *Authentication*
- *Fitness Sorting*
- *Denomination Sorting*
- *Serial Number Capturing*
- *High speed and large capacity*
- *Auto deposit*



CA-10 Compact Banknote Deposit Machine

Innovative cash sorting technology from GRGBanking:

CA-10 is the ideal cash counting and deposit solution for banks, retails and CITs, also supermarket, gas station and gaming.

Precise Cash Processing

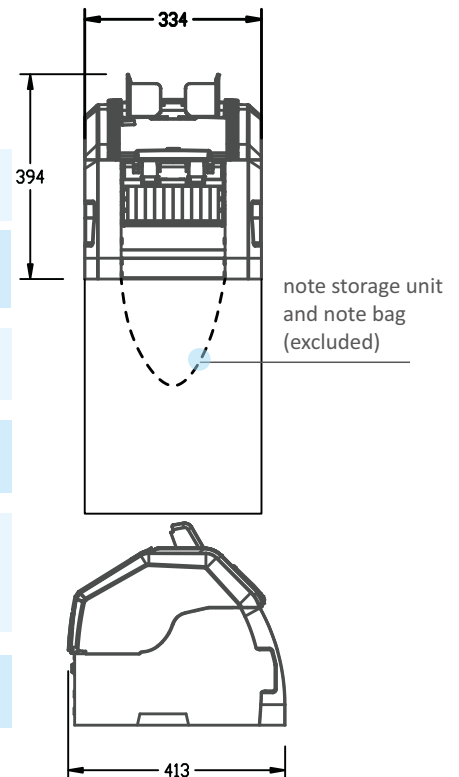
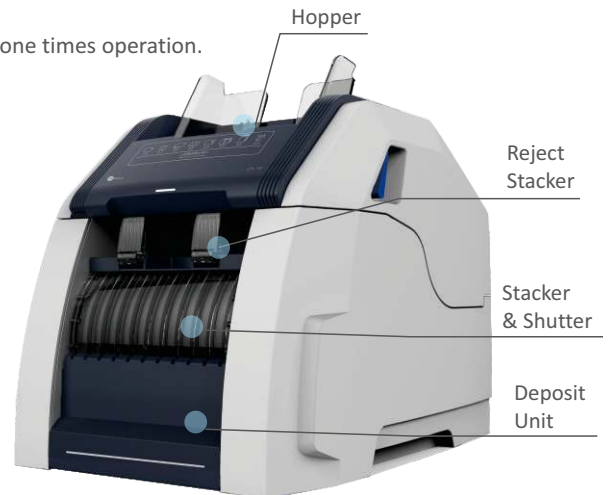
- Featured with professional and comprehensive banknote authentication technology which supports IR, UV, magnetic, thickness detection and CIS (contact image sensor), CA-10 is able to detect soiled, stained, taped, torn notes.
- OCR technology (opt.) realizes the capability of serial number tracking on CA-10, the serial number can be recorded on machine, and both sides' image of each note will be kept on an optional image recorder.
- Multi type notes support, CA-10 can support notes from 254 countries, and 26 in one times operation.

Optimum User Experience

- With non-stop operation hopper, user can keep feeding the notes.
- The LAN interface extend the connectivity of CA-10, so it can be connected with external LCD, printer and PC for sorting report checking, printing and upgrade, to realize centralized management.
- Support value items such as cheques and casino voucher.(option)

Deposit function

- CA-10 is founded on the GRG's CM series sorting technology and developed with a note deposit-in note bag function.
- CA-10 deposits notes into note bag or storage device underneath when the stacker is full with 200 notes.



Specification

Sorting Scheme	Fitness/ denomination/ version/ orientation sorting	Power Supply	AC90-240V, 50/60HZ
Speed	Sorting: 720 notes/ min; Counting: 1,000 notes/ min	Power Consumption	100W
NV Technology	UV, IR, Visible light, Magnetic, OCR, CIS	Dimension	334*394*413mm (W*H*D)
Capacity	Hopper: 500 notes; 1,000 notes optional Stacker: 200 notes Reject stacker: 100 notes	Banknote Size Accept	Width: 60-85mm Length: 110-180mm Thickness: 0.06-0.18mm
Connectivity	LAN	Weight	17Kg

GRGBanking Equipment Co., Ltd.

9,11 Kelin Road, Science City, High-tech Industrial Development Zone,
Guangzhou, China 51663
Tel: +86-20-6287 9763
Fax: +86-20-6287 9976
E-mail: oem@grgbanking.com

Copyright by GRGBanking Equipment Co., Ltd.
All rights reserved.

Specifications are subject to update without prior notice.
Please consult GRGBanking or its representative for the latest information.